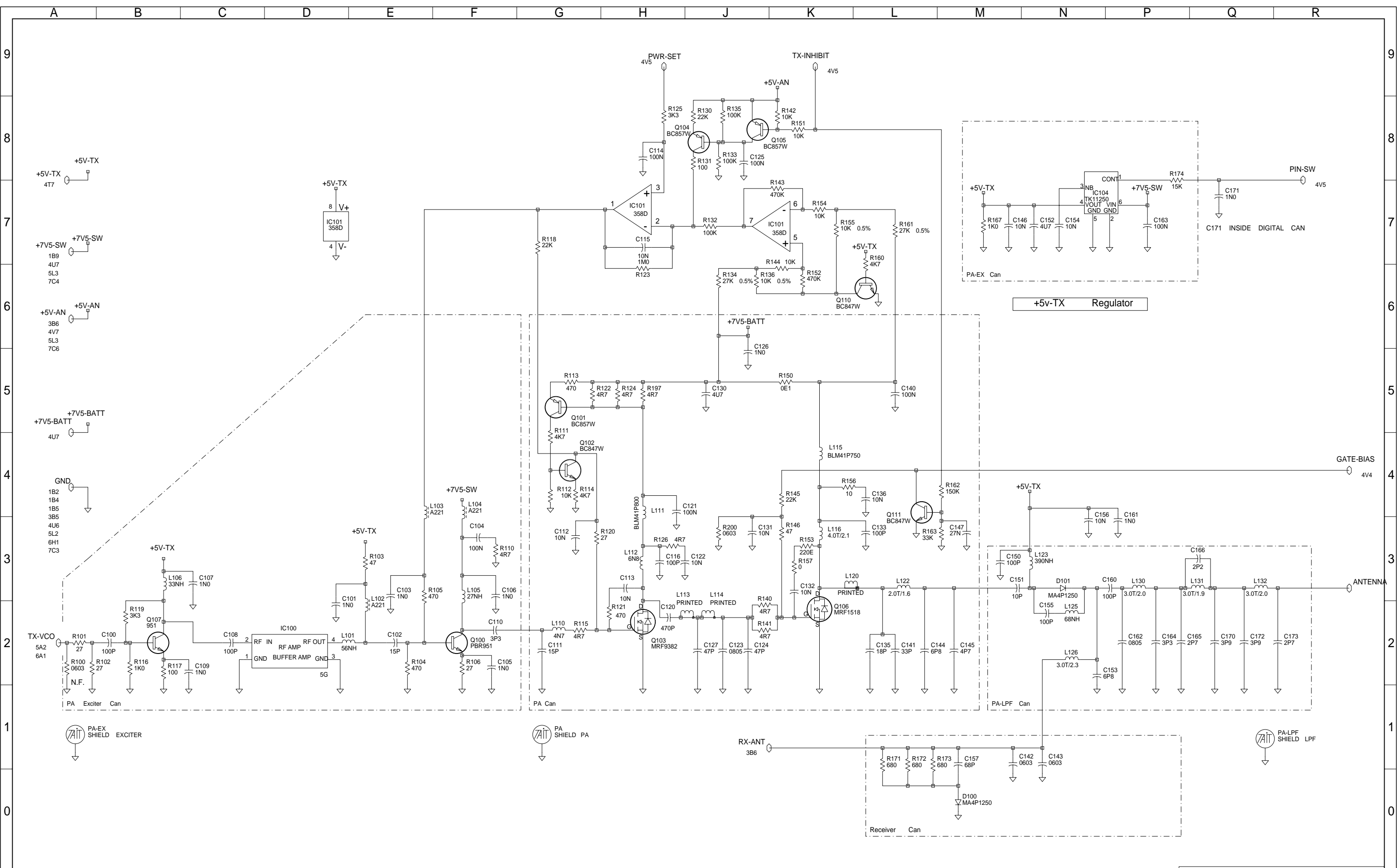


05A	CCO NO. 1624-007	BRD			29-03-01	
04A	CCO NO. 1624-006	BRD			20-03-01	
03B	CCO NO. 1624-005	CJK			08-06-00	
03A	ECO NO. 50 0788	CJK	JJ		29-05-00	
02A	CCO NO.1624-004 AMP CHANGES	TS			16-12-99	
01A	INITIAL DES CCO 1624/001 002 003	BRD	JJ	CK	GR	25/11/99
REV/ISS	AMENDMENTS	DRAWN	CHKD	D.O.	APVD	DATE



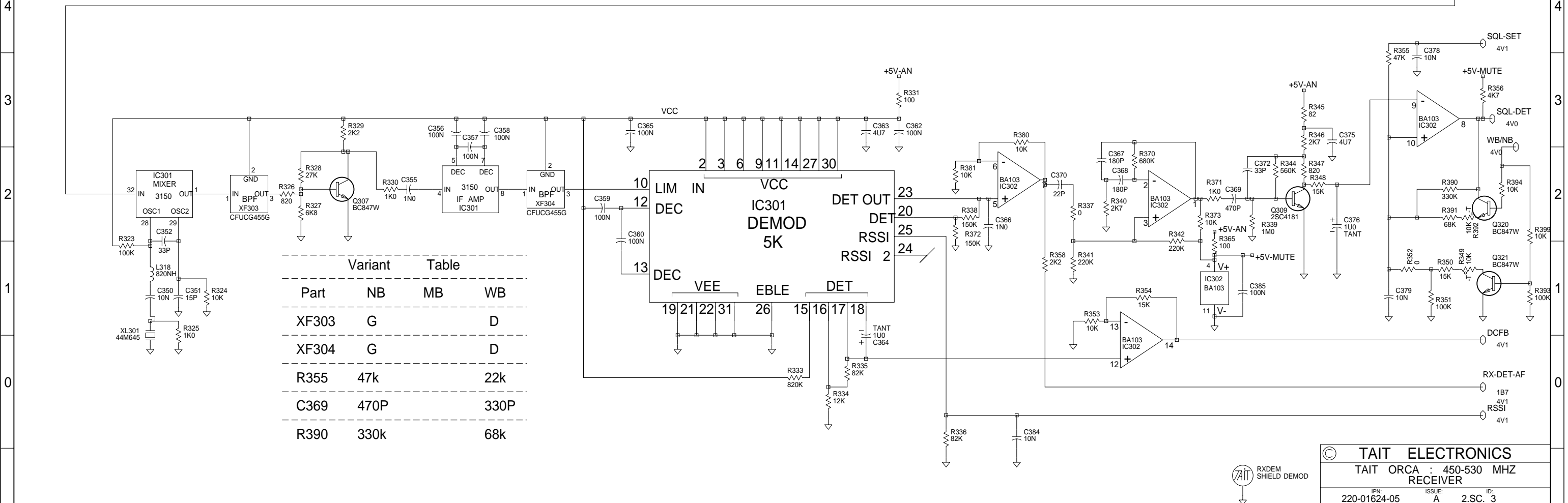
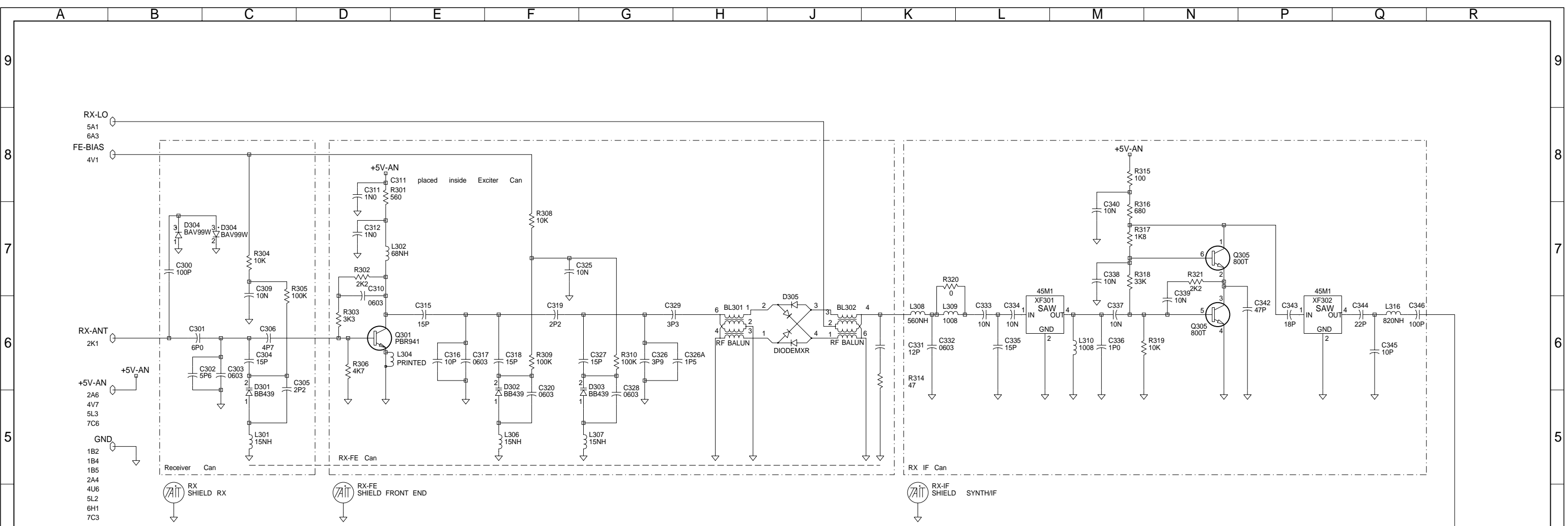
© TAIT ELECTRONICS			
TAIT ORCA : 450-530 MHZ SYSTEM DIAGRAM			
IPN:	ISSUE:	ID:	
220-01624-05	A	2.S.C. 1	
PROJECT:	DESIGNER:	FILE NAME:	FILE DATE:
ORCA	BRD	162405a	29-Mar-01
			NO.SHEETS: 7



02A	CCO NO.1624-004	AMP CHANGES	TS		16-12-99
REV/ISS	AMENDMENTS		DRAWN	CHKD	D.O.
A	B	C	D	E	F

© TAIT ELECTRONICS
 TAIT ORCA : 450-530 MHZ
 POWER AMPLIFIER

IPN:	ISSUE:	ID:
220-01624-05	A	2.S.C. 2
PROJECT:	DESIGNER:	FILE NAME:
ORCA	BRD	162405a
FILE DATE:	NO.SHEETS:	
29-Mar-01	7	

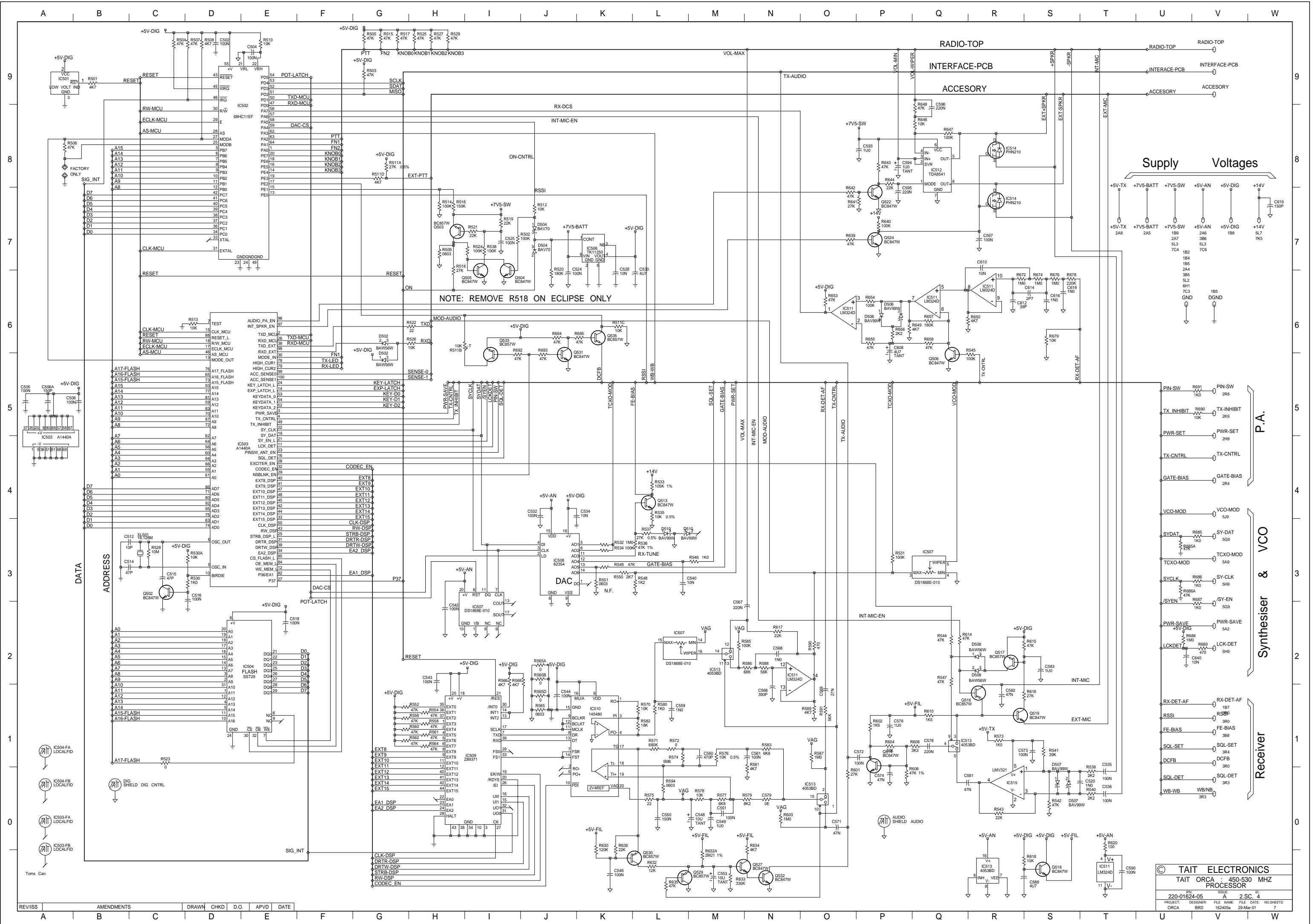


REV/ISS	AMENDMENTS	DRAWN	CHKD	D.O.	APVD	DATE
A						

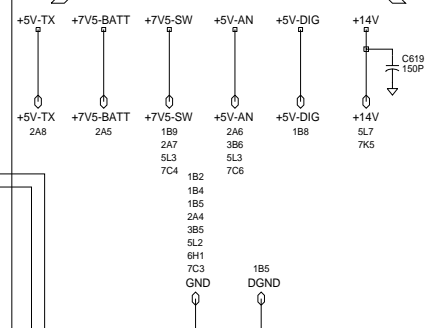
© TAIT ELECTRONICS
TAIT ORCA : 450-530 MHZ RECEIVER

IPN: 220-01624-05
ISSUE: A
ID: 2.S.C. 3

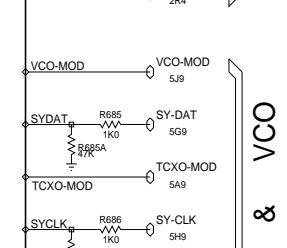
PROJECT: ORCA
DESIGNER: BRD
FILE NAME: 162405a
DATE: 29-Mar-01
NO.SHEETS: 7



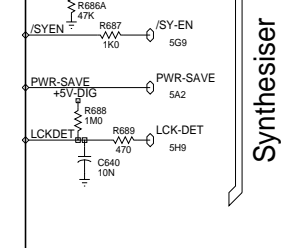
Supply Voltages



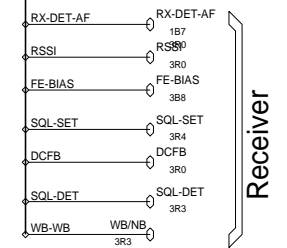
P.A.



Synthesiser & VCO

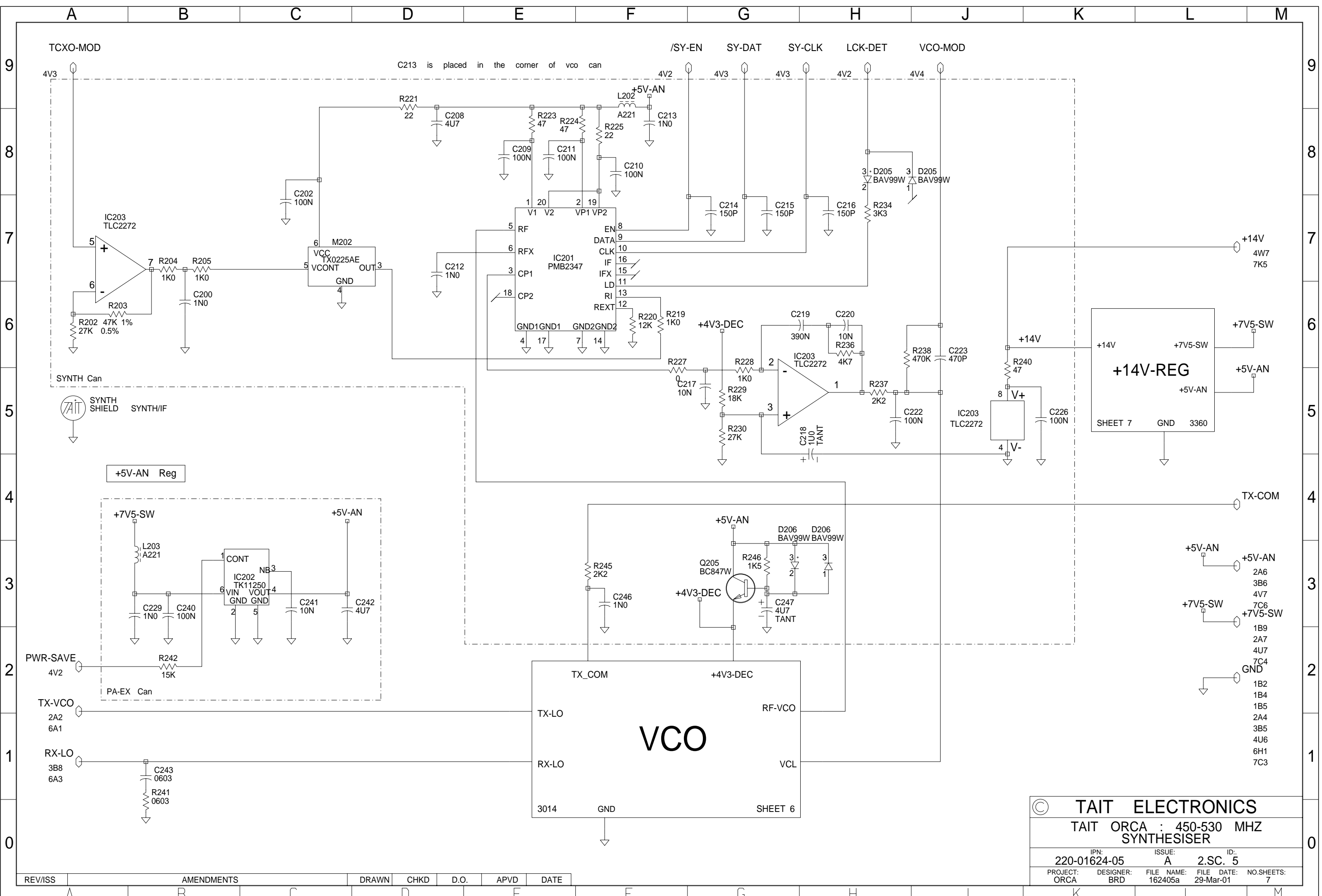


Receiver



© TAIT ELECTRONICS
 TAIT ORCA : 450-530 MHZ
 PROCESSOR
 220-01624-05
 ORCA BRD 162405a 29-Mar-01

REV/ISS	AMENDMENTS	DRAWN	CHKD	D.O.	APVD	DATE
A						



C213 is placed in the corner of vco can

VCO
3014 GND SHEET 6

+14V-REG
SHEET 7 GND 3360

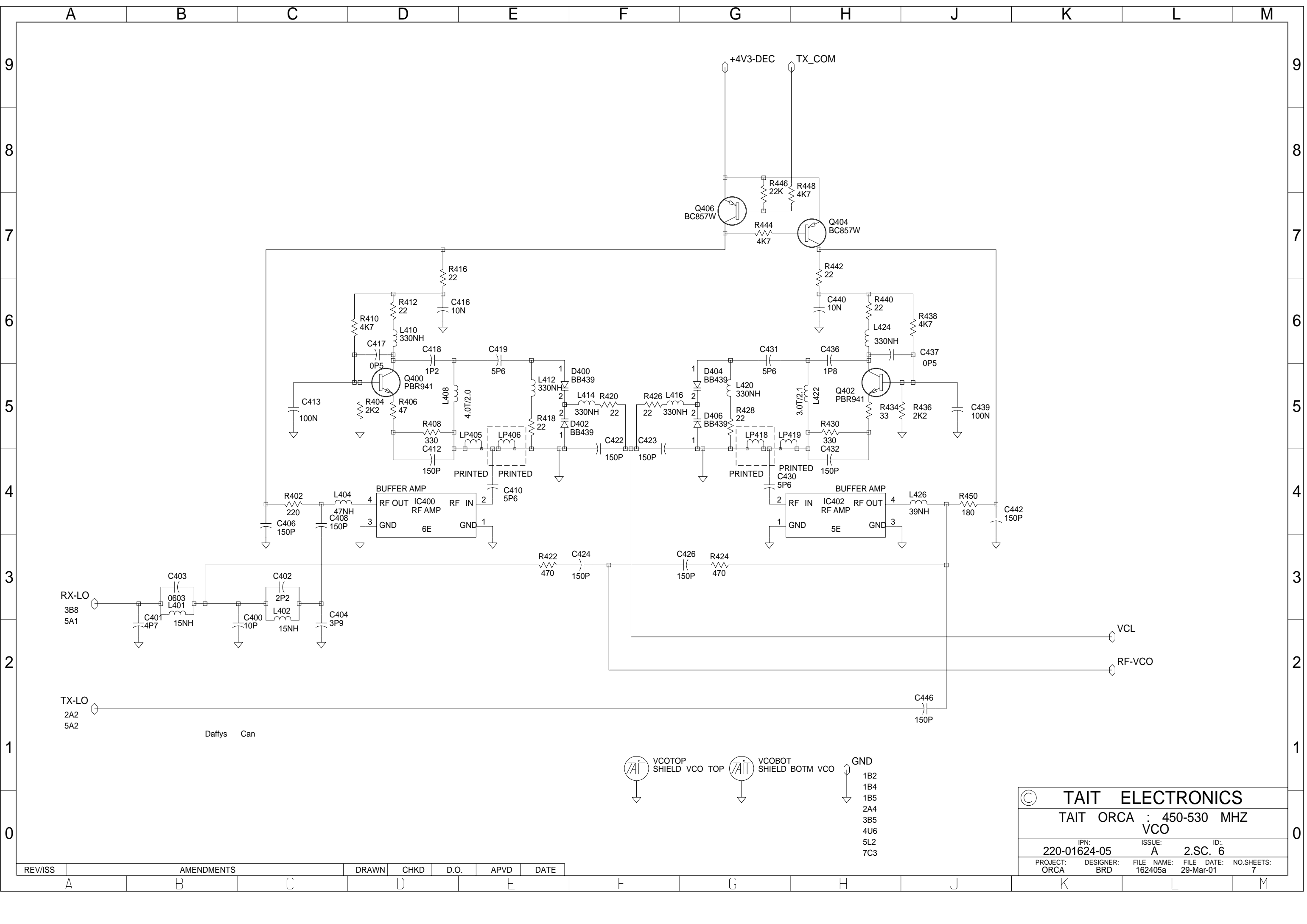
+5V-AN Reg

PA-EX Can

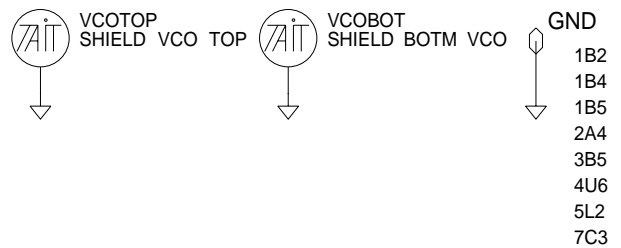
SYNTH Can

© TAIT ELECTRONICS				
TAIT ORCA : 450-530 MHZ SYNTHESISER				
IPN:	ISSUE:	ID:		
220-01624-05	A	2.SC. 5		
PROJECT:	DESIGNER:	FILE NAME:	FILE DATE:	NO.SHEETS:
ORCA	BRD	162405a	29-Mar-01	7

REV/ISS	AMENDMENTS	DRAWN	CHKD	D.O.	APVD	DATE
---------	------------	-------	------	------	------	------

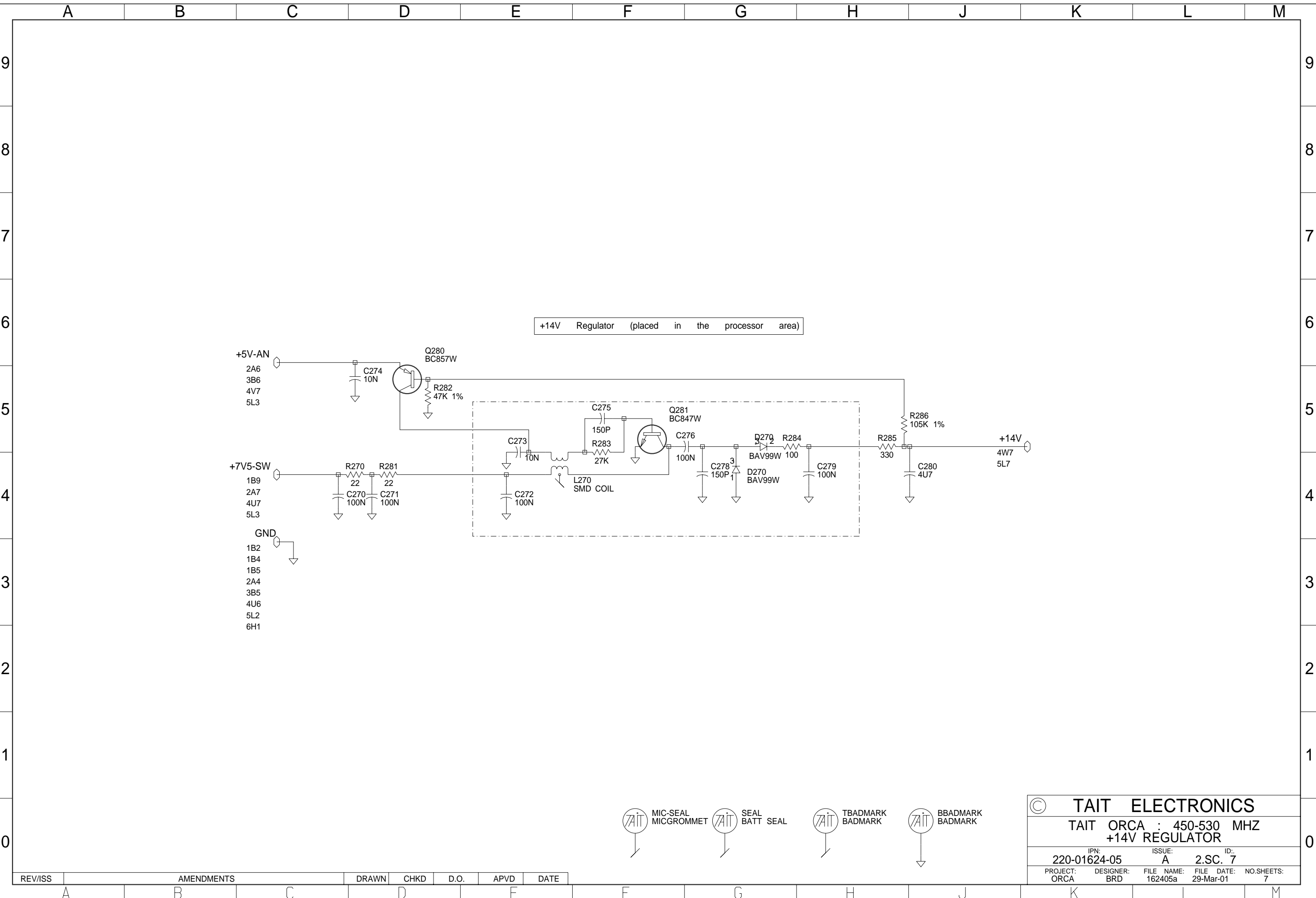


Daffys Can

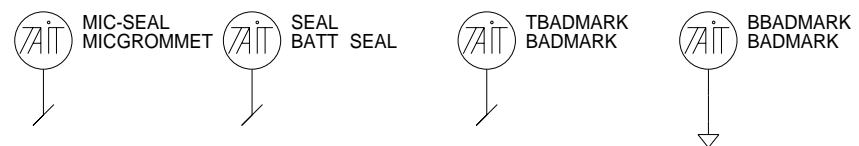
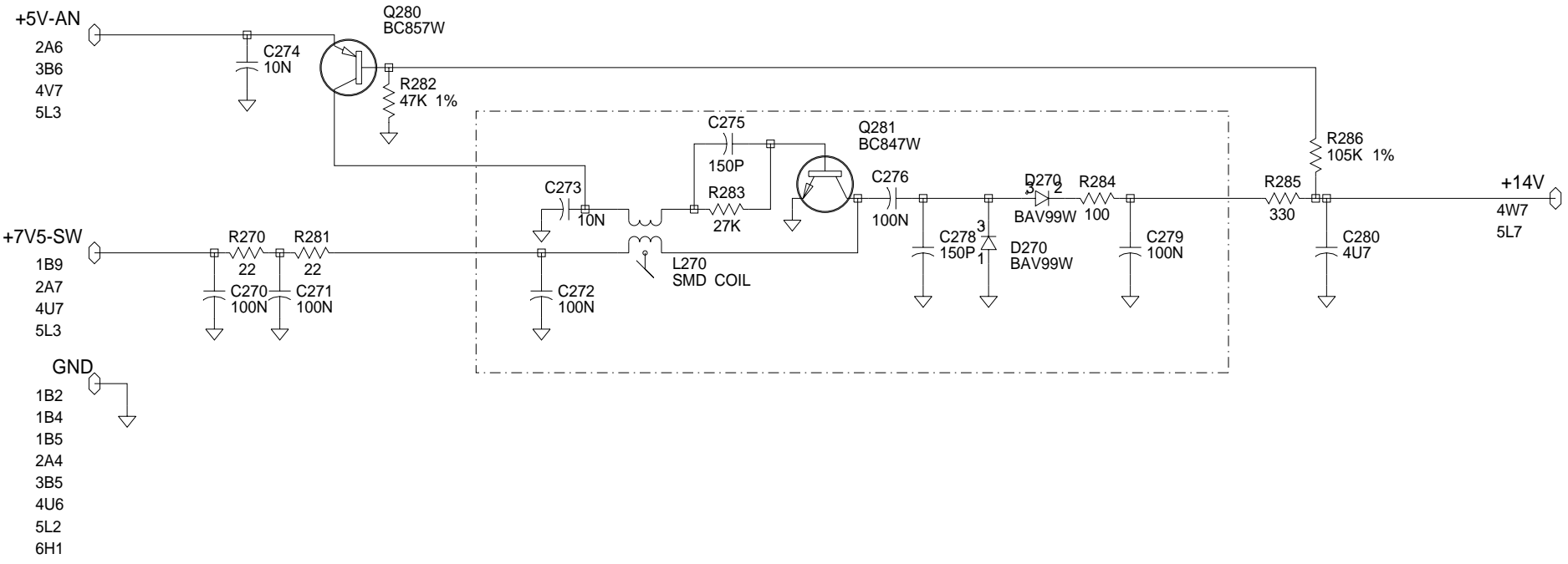


© TAIT ELECTRONICS				
TAIT ORCA : 450-530 MHZ VCO				
IPN:	ISSUE:	ID:		
220-01624-05	A	2.SC. 6		
PROJECT:	DESIGNER:	FILE NAME:	FILE DATE:	NO.SHEETS:
ORCA	BRD	162405a	29-Mar-01	7

REV/ISS	AMENDMENTS	DRAWN	CHKD	D.O.	APVD	DATE

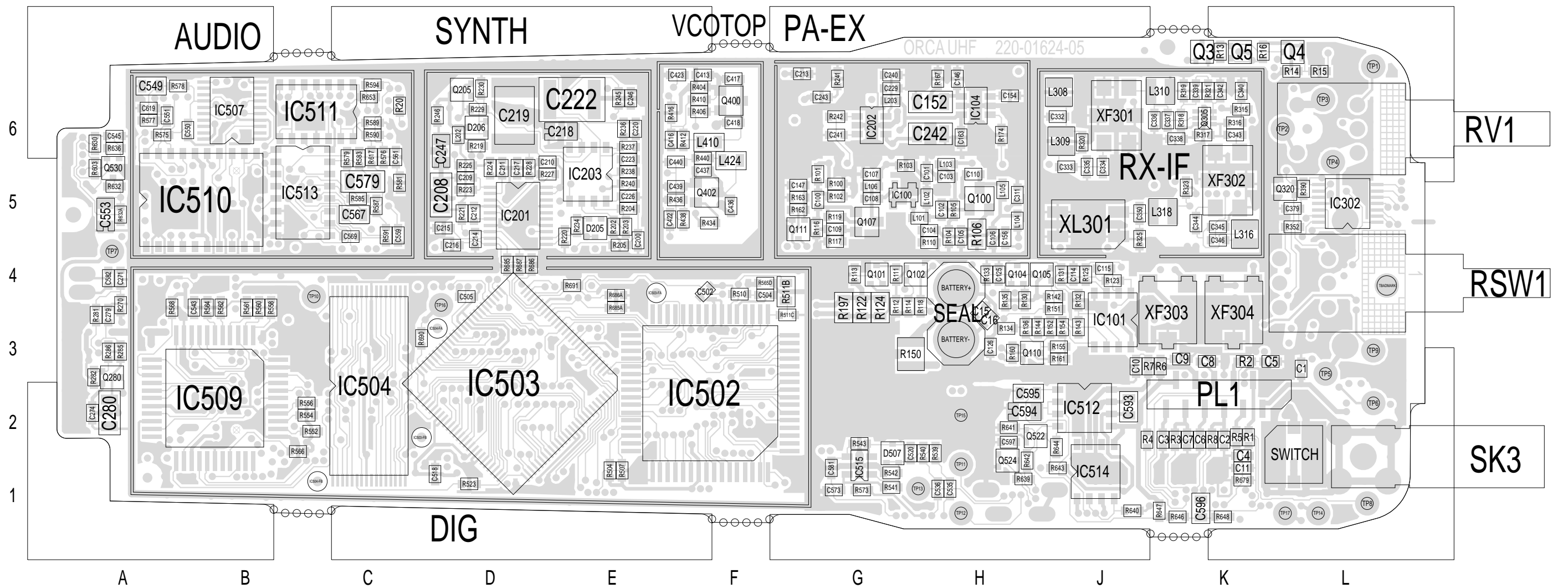


+14V Regulator (placed in the processor area)



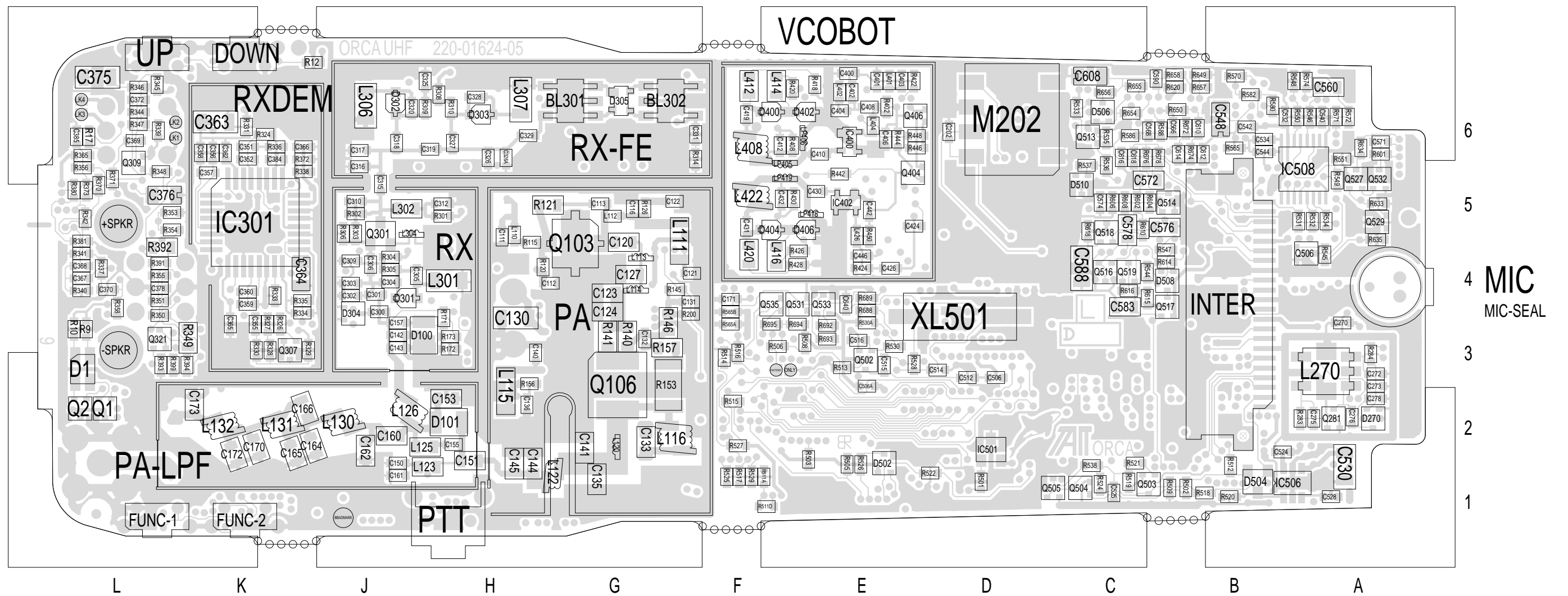
© TAIT ELECTRONICS				
TAIT ORCA : 450-530 MHZ +14V REGULATOR				
IPN:	ISSUE:	ID:		
220-01624-05	A	2.SC. 7		
PROJECT:	DESIGNER:	FILE NAME:	FILE DATE:	NO.SHEETS:
ORCA	BRD	162405a	29-Mar-01	7

REV/ISS	AMENDMENTS	DRAWN	CHKD	D.O.	APVD	DATE
---------	------------	-------	------	------	------	------



TAIT ELECTRONICS IPN: 220-01624-05 ISS: A ID: 1.TA DATE: 6 Apr 2001
 ORCA UHF PCB LAYOUT - TOP SIDE

Scale: 2.3:1 ; Rotation: 0 degrees



TAIT ELECTRONICS IPN: 220-01624-05 ISS: A ID: 6.BA DATE: 6 Apr 2001
 ORCA UHF PCB LAYOUT - BOTTOM SIDE

Scale: 2.3:1 ; Rotation: 0 degrees